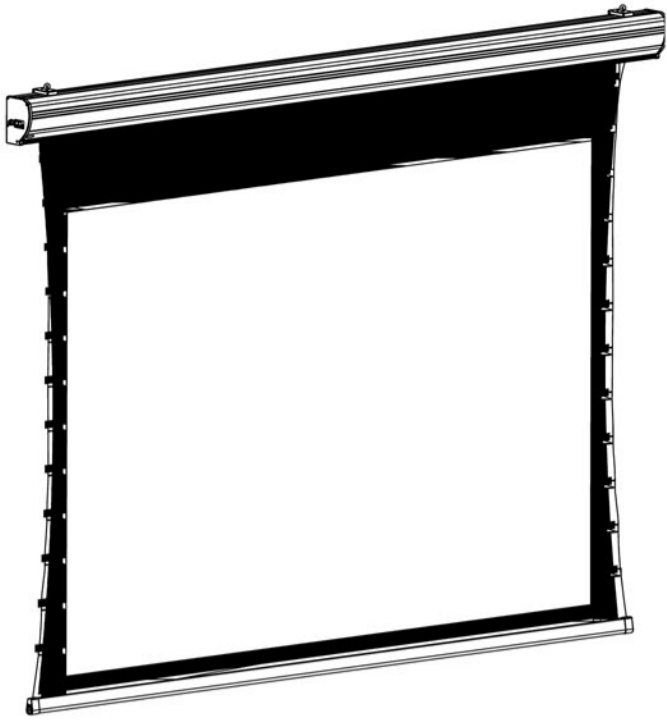


Liberty VEGA SHOW



Thank you for choosing our electric projection screen. Please read through this user manual before using the screen. Take care of the screen and do not misuse it.

Premium Tension Screen User Manual

Easy to use, Long life, Good picture quality. Use with DLP / LCD projectors and overhead projectors for best projection



Note: The screen may be operated as frequently as necessary but should not be lowered and raised continuously. Doing so will cause the motor to overheat and power to cut off. If this happens it will be necessary to wait until the motor has cooled down sufficiently to resume operation.

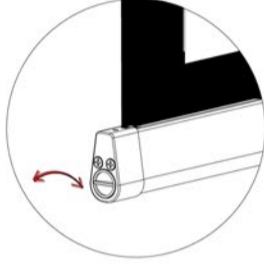


Warning Notice

1. It is normal to see slight horizontal marks on fabric after long storage but they will disappear gradually if the fabric has been unrolled for a short period.
2. It is also normal to see slight marks on both sides of black border after long storage but they will disappear if the fabric has been unrolled for a short period.
3. Before installation of the projection screen on a wall or ceiling and make sure that it can afford the weight of the screen.
4. Dust, dirt and scratches on the projection surface will affect the picture quality. For prevention, take notice of the points below:
 - Do not touch the projection surface with hands.
 - Do not write or draw on the projection surface.
 - Do not use fingers or sharp objects to point on the projection surface as this will damage the screen fabric.
 - Use a soft damp cloth to clean the projection surface only.
 - Do not use chemical cleaning agents or alcohol.
 - Use clean water.

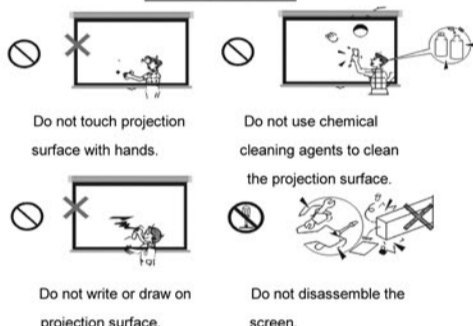
The tightness adjustment of the strings

The strings have adjusted to its perfect place before it was sold out from factory, but for the factors of transportation and long time use. The surface will have some slight changes. In order to make sure the flatness of the screen, some adjustments needed. The methods are as the picture showed:



Notice

Do not



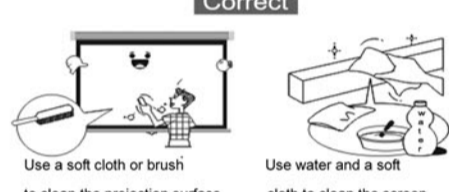
Do not touch projection surface with hands.

Do not use chemical cleaning agents to clean the projection surface.

Do not write or draw on projection surface.

Do not disassemble the screen.

Correct



Use a soft cloth or brush to clean the projection surface.

Use water and a soft cloth to clean the screen.

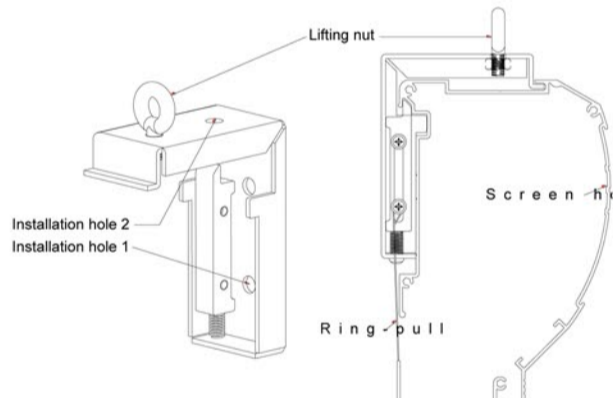
Installation Method

Install the screen in the location where the audience can see the whole screen when it is fully extended.

The screen can be wall mounting or ceiling hanging, users can choose the most suitable method according to their needs. Insure the right equipment is used for whichever chosen method.

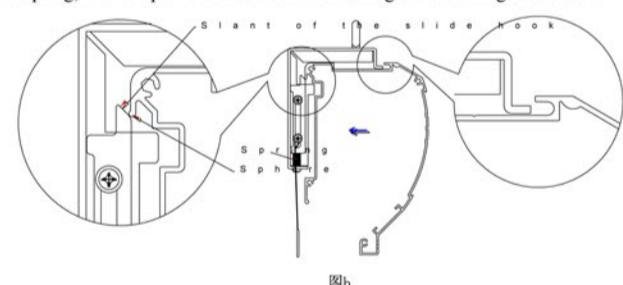
For wall mounting or ceiling hanging on a wooden surface, use $\phi 6 \times 60$ mm wood screws.

For wall mounting or ceiling hanging on a brick, concrete or plaster surface, use $\phi 6 \times 60$ mm screws with screw anchors or wall plugs.



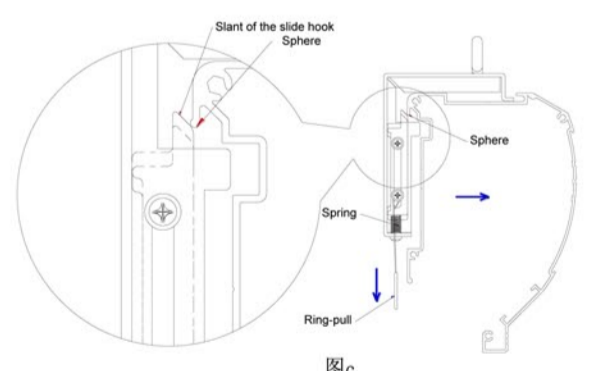
There are three ways for installation with pictures below, please make sure which kind of installation suit for your surroundings first.

B. As the picture showed, push the screen into the mount horizontally, the slip hook will be press down first, then then rise up to the slot of the screen under the function of the spring, that can prevent the screen from falling off or turning to one side.

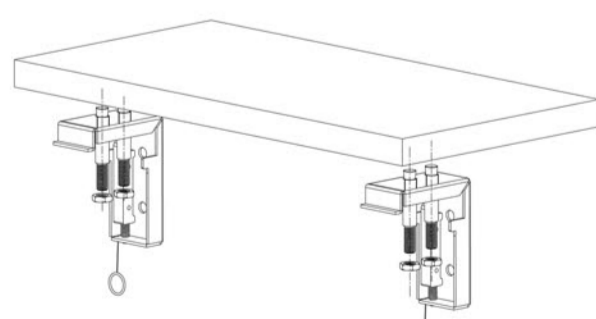


C. There are two set of ring-pulls on each side of the screen, when the user need to dismount the screen: two person hold the screen on each side, pull down the ring so that the hook detach from the slot, and then push the screen off the wall mount horizontally. It is quite easy to dismount the screen. As the picture C showed.

Please note that it must be dismantled by professional person. Nonprofessional dismount will easily break the screen. If you need maintenance, please contact the distributor.



2. The method of ceiling installation



Make sure that the ceiling can support 50kg.

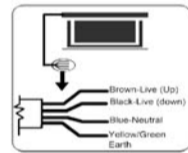
As the picture showed, measure and draw lines for reference to make sure the two mounts on the same level, install the mount on the ceiling and make sure the back side of the mount meet the line. Draw two circles through the installation holes, drill two holes according to the circles for the expansion bolts with the percussion drill. Install the mount on the ceiling through the expansion bolts and screw the nuts, then the mount fixed on the ceiling.

Install the other mount in the same way.

The method to install the screen showed below.

Product Electrical Specification

Voltage: 100V-120V or 220V-240V
(Refer to label on casing)
Frequency: 50Hz-60Hz
Power: 150W (MAX)



Screen Operation

To lower the projection surface

Press the bottom button on the control unit, the projection surface will lower itself, when it is fully extended it will stop automatically.

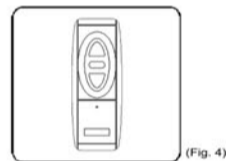
To retract the projection surface

Press the top button on the control unit, the projection surface will retract into its case, when it is fully retracted it will stop automatically.

To stop the projection surface

Manually at an intermediate position,

press the middle button on the control unit.



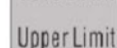
(Fig. 4)

Adjusting method

Lower Limit



Goes Down



Goes Up

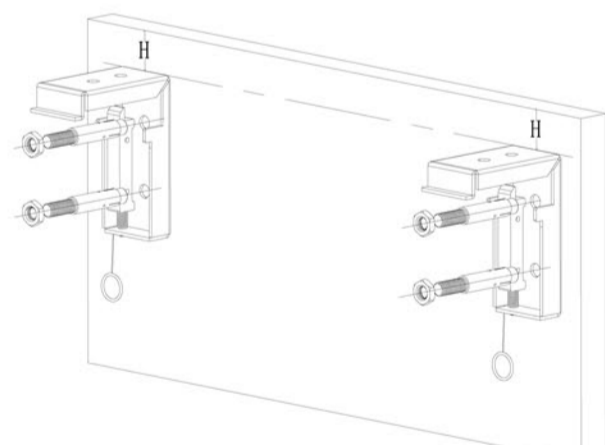
Lower limit—Adjust the stopping level of slat when fully extend.

Turn "lower limit" switch in clockwise direction let the slat go closer to the ground.

Upper limit—Adjust the stopping level of slat when fully retract.

Turn "upper limit" switch in clockwise direction let the slat go closer to the casing.

1. The method of wall installation

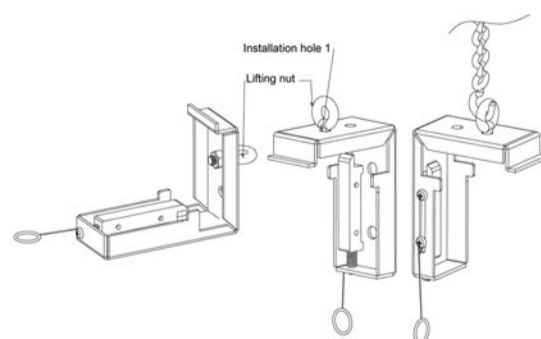


As the picture showed, measure and draw contour line on the wall to make sure the wall mount level. Make the upper side of the wall mount meet the contour line. Hold it and draw a circle on the wall through the install hole to make sure the point of the expansion bolt. Take away the wall mount and drill a hole to install the expansion bolt on the center of the circle. Install the wall mount through the expansion bolt and screw the nut. Use the levelling instruments to make sure the level of the wall mounts, and then draw a circle on the other side of the wall mount, drill and install the other expansion bolt. Install the wall mount through the two expansion bolt, then screw the nuts and fixed the mount on the wall.

Install the other wall mount on the same way.

The method to install the screen showed below.

3. The method of overhang

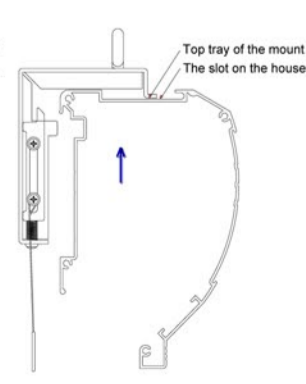


As the picture showed, take out the lifting nut from the accessory case and install it on the wall mounts. Install the sling chain on the ceiling. Put the ring of lifting nut to the hook of the sling chain.

The method to install the screen are the same with wall and ceiling installation, as below showed.

No matter which method you choose to install, the following methods are the same.

A. Lift the screen to the top of the wall mount until the slot of the screen meet the top tray as the picture showed.



图a

